

# CN 19 U / CN 19 I

## CN 19 U Coupling network / CN 19 I Current transformer

### IEC / EN 61000-4-19

- For tests according to IEC / EC 61000-4-19
- **CN 19 U:** Coupling network for the differential voltage test according to IEC / EC 61000-4-19
- **CN 19 I:** Current transformers for tests according to IEC / EC 61000-4-19

**For tests according to IEC / EN 6100-4-19**

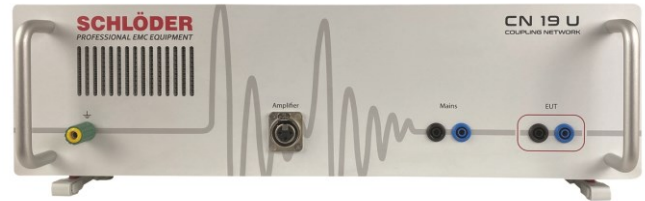


Figure: CN 19 U



Figure: CN 19 I (front)



CN 19 I (back)

### Overview

The **CN 19 U** is suitable for differential voltage tests according to IEC / EC 61000-4-19. It is designed for tests in the frequency range from 2 kHz to 150 kHz.

The current transformer **CN 19 I** is used to supplement tests according to the IEC / EC 61000-4-19 standard and is also suitable for a frequency range from 2 kHz to 150 kHz.

### Technical data

CN 19 U Coupling network	
Frequency range	2 kHz - 150 kHz
Level	0 - 25 Vrms cont
Source impedance	10 Ω ±3 Ω max. (±1 Ω typ.)
EUT voltage	500 V AC (50/60 Hz), 700 V DC
Max. EUT current	16 A cont. AC/DC
Voltage drop mains EUT	13 V typ. (16 A/50 Hz)
Amplifier input	XLR socket
Mains / EUT	4 mm safety jacks (black/blue)
High voltage test amplifier - EUT	1,9 kV DC (10 sec)
Size	15,7 x 48,2 x 54 cm
Weight	11,2 kg
Temperature range	5 - 40 °C

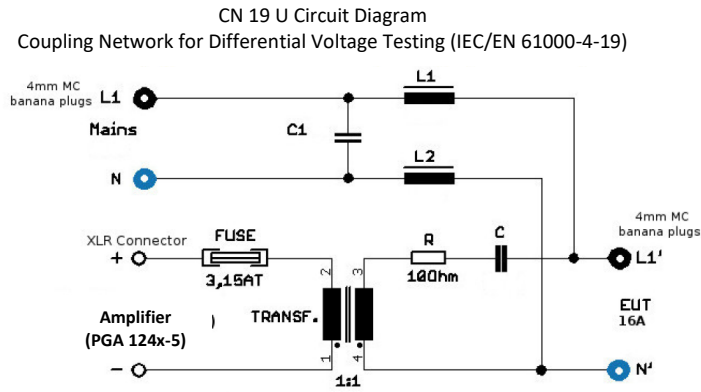
CN 19 I Current transformer	
Frequency range	2 kHz - 150 kHz
Level	0 - 10 Arms cont.
Source impedance	1 Ω ±0,3 Ω max. (±0,1 Ω typ.)
Four-wire shunt	0,1 Ω ±1 mΩ max.
EUT voltage	500 V AC (50/60 Hz), 700 V DC
Amplifier input	XLR socket
EUT current output	4 mm safety jacks (black/blue)
Shunt output	4 mm safety jacks (green)
Power supply	external 24 V/1 A AC/DC power supply unit
High voltage test amplifier - current output	1,9 kV DC (10 sec)



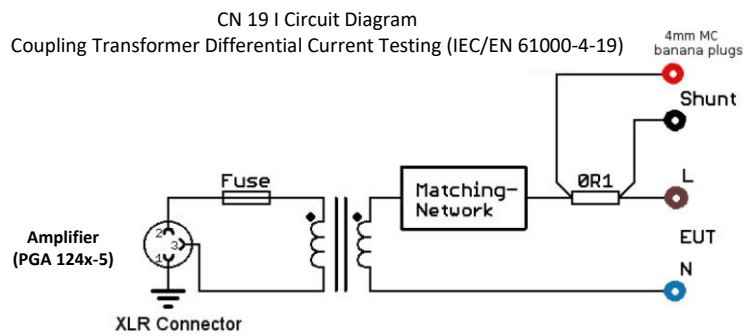
# CN 19 U / CN 19 I

## CN 19 U Coupling network / CN 19 I Current transformer

**Technical data: CN 19 U Coupling network**



**Technical data: CN 19 I current transformer**



All information regarding appearance and technical data correspond to the current state of development at the time of release of this data sheet. We reserve the right to make technical changes. 072106

