

IT-06 / IT-16 / IT-20

Isolation-Transformer

IEC / EN 61000-4-16, MIL STD 461

- For EMC tests according to IEC / EN 61000-4-16 and MIL STD 461
- With double shield winding between



Suitable as an accessory for the PGA 124x generator and MGA 1033.

Overview

The IT-06, IT-16 and IT-20 are isolation transformers with double shield winding for tests according to IEC / EN 61000-4-16 and MIL STD 461.

The isolation transformer is equipped with a solid aluminum housing.

Key facts

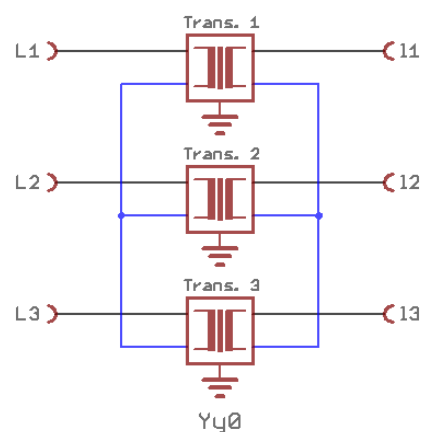
- Operation in star connection, both on input and output side for a 3-phased system
- Solid aluminum housing
- Available in three power levels:
 - IT-06:** 1380 VA
 - IT-16:** 3680 VA
 - IT-20:** 4600 VA

IT-16, IT-20 as a three-phase system

A three-phase system consisting of three conductors phase-shifted by 120 degrees can be galvanically isolated by means of three single isolation transformers of the same type with high common-mode rejection.

The prerequisite is a symmetrical load, since a three-phase system consisting of three individual transformers must not be loaded asymmetrically, i.e. it must not have a current-carrying neutral conductor!

The three IT-16 / IT-20 transformers are operated in star connection on both the input and output sides. For safety reasons, the neutral conductor (blue) should not be routed to the test object.

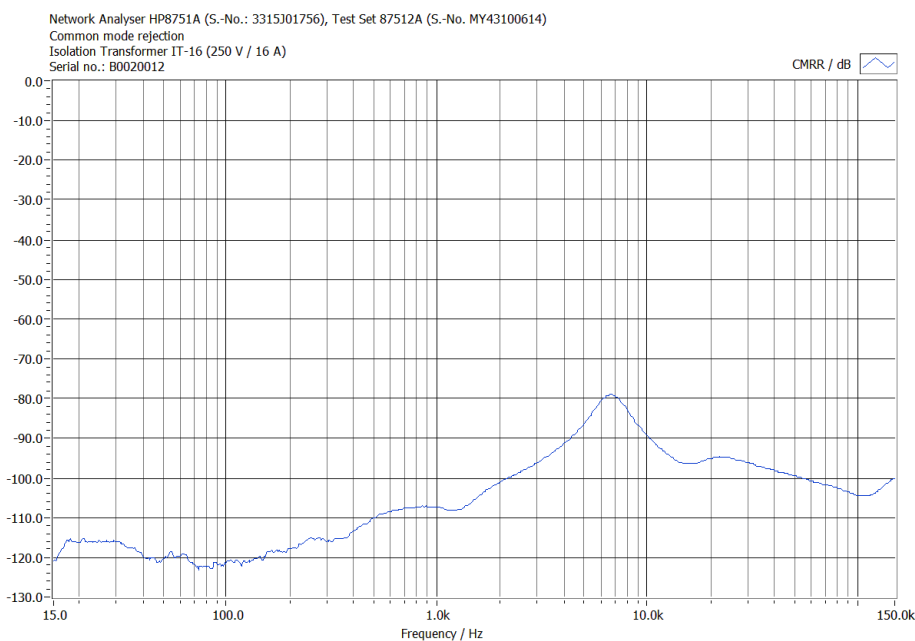


IT-06 / IT-16 / IT-20

Isolation-Transformer

Technical data I			
Article	IT-06	IT-16	IT-20
Primary	230 V	230 V	230 V
Secondary	230 V / 6 A	230 V / 16 A	230 V / 20 A
Power	1380 VA	3680 VA	4600 VA
Asymmetrical attenuation (15 Hz - 150 kHz)	60 dB	60 dB	60 dB
Isolation	> 1 kV (50/60 Hz)	> 1 kV (50/60 Hz)	> 1 kV (50/60 Hz)
Dimensions (L x W x H)	330 x 230 x 111 mm	400 x 310 x 181 mm	400 x 310 x 181 mm
Weight	appr. 18 kg	appr. 34 kg	appr. 45 kg

Technical data II: Common mode rejection (typical)



Suitable for amplifiers with integrated generators

PGA 124x-5A	Power generator; DC - 300 kHz, ± 50 V; ± 5 A; incl. software
PGA 124x-16A	Power generator; DC - 300 kHz, ± 50 V; ± 16 A; incl. software
PGA 133x	Voltage source for short-time disturbance quantities according to EN 61000-4-16 up to 300 V; USB connection; incl. software
PGA 124x-PSG 300	Option EN 61000-4-16 for PGA 124x: input for phase-controlled switching on of an external voltage source; 50 Ohm output
MGA 1033	Magnetic field generator and analyzer for tests acc. to MIL STD 461

All information regarding appearance and technical data correspond to the current state of development at the time of release of this data sheet. We reserve the right to make technical changes. 052105

